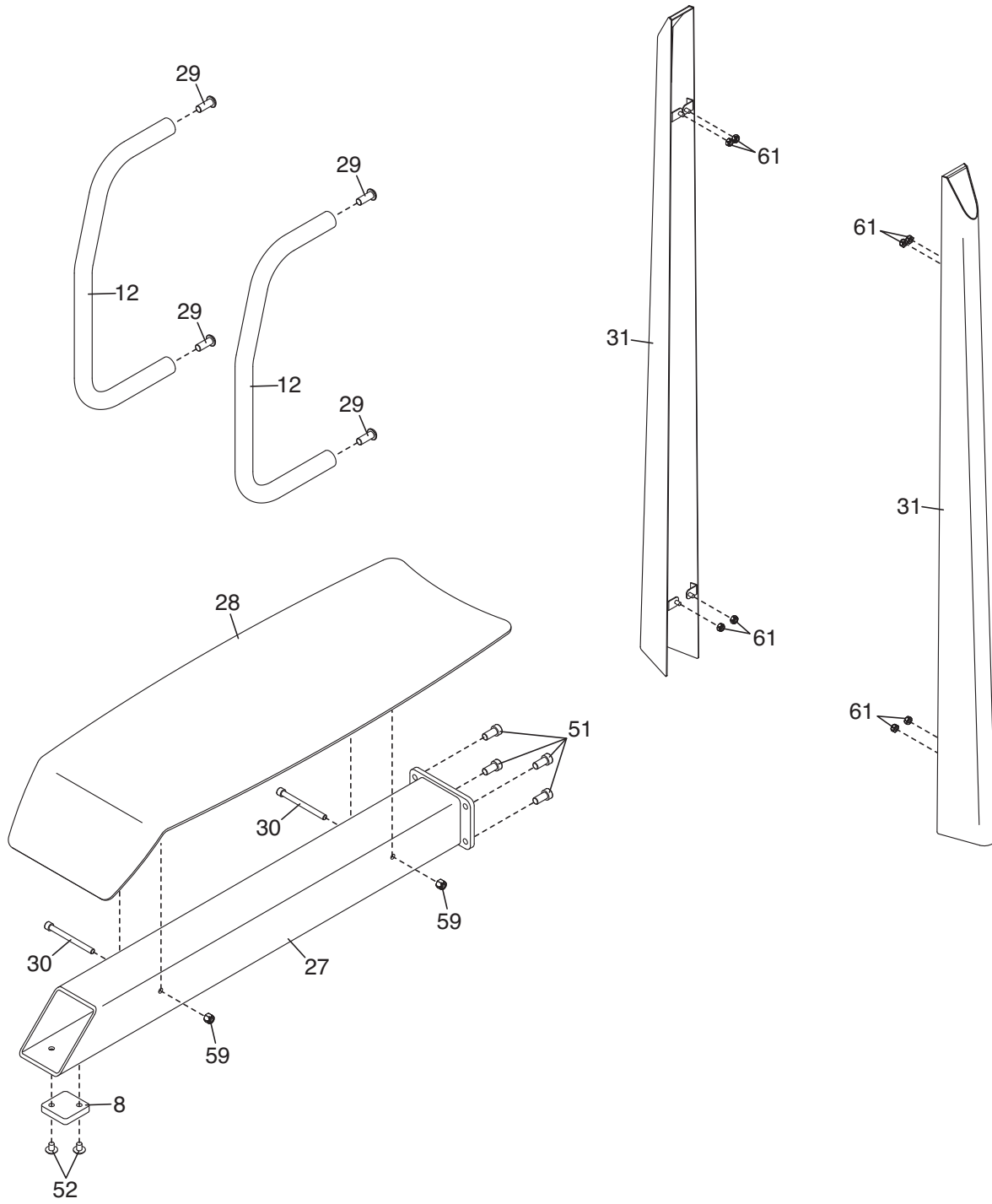


EXPLODED DRAWING A—Model No. F608.1

R0410A



EXPLODED DRAWING B—Model No. F608.1

R0410A

